

ANSWER PRESENTATION TOOL

Blue - Student Edition

8

Chapter Test 1-10

ALL EVEN

Show Sol

ODD

1. $12,000\pi \approx 37,699.1 \text{ mm}^3$

2. $4.5\pi \approx 14.1 \text{ cm}^3$

3. $\frac{8788\pi}{3} \approx 9202.8 \text{ ft}^3$

4. $552\pi \approx 1734.2 \text{ m}^3$

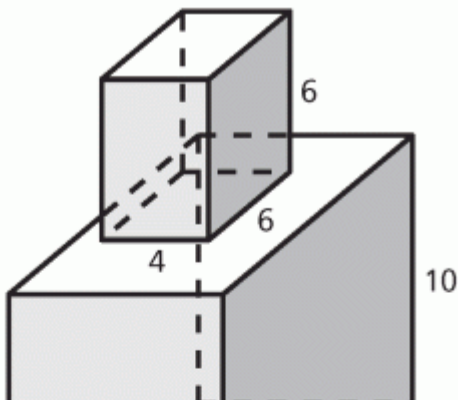
5. a. $\ell = 7.5 \text{ cm}$

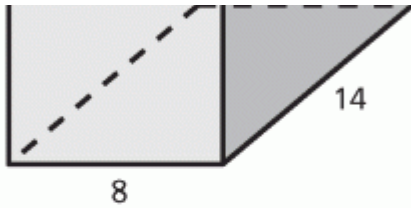
b. 216 cm^2

6. cylindrical glass; about 6.2 in.^3

7. 42.7 in.^3

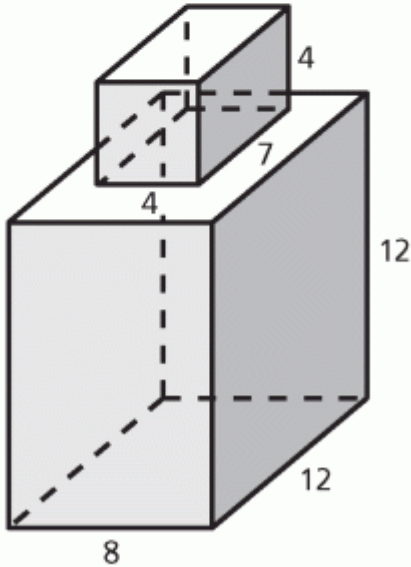
8. *Sample answer:*





$$V = 1264 \text{ cubic units}$$

$$S = 784 \text{ square units}$$



$$V = 1264 \text{ cubic units}$$

$$S = 760 \text{ square units}$$

9. Glass A

10. cube; The sphere could fit inside the cube and there would still be extra space outside the sphere but inside the cube.